



MAXIMATIC® LUBRICATORS



MML-3W
Lubricator with
Bowl Shield



MML-2P
Lubricator with
Polycarbonate
Bowl



MML-2Q-M
Lubricator with
Metal Bowl

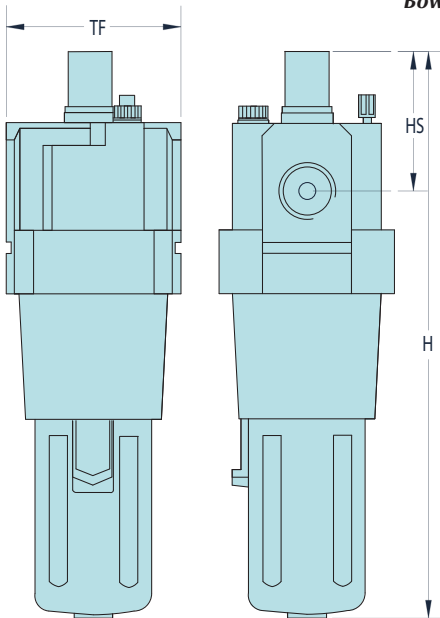
These inexpensive direct-flow lubricators provide lubrication to downstream valves and actuators

Bowl: Polycarbonate standard. Steel Shield provided on models as indicated. Metal bowl with sight glass also available, add “-M” to the Part Number.

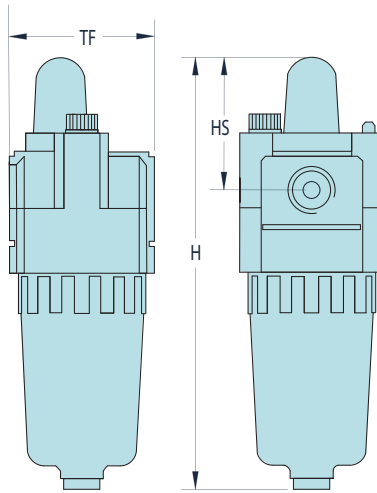


Mounting Hardware

For a complete offering of mounting hardware, spacers, replacement bowls and other accessories, see [pages 337 through 339](#).



MML-3, MML-4 & MML-5 Series



MML-1 & MML-2 Series

Lubricator Bowl Fluid Capacity		
Model	Bowl #	Capacity
MML-2	27057-2	0.8 oz./24 ml (cc)
MML-3	27058-3	2.3 oz./68 ml (cc)
MML-4	27058-4	6.2 oz./183 ml (cc)

Part No.	Port	Flow Rate		Bowl Shield	Dimensions		
					H	HS	TF
MML-1N	#10-32	3 scfm	90 l/min	no	3.21 (81.5)	1.00 (25.4)	0.98 (24.9)
MML-2P	1/8" NPT	28 scfm	800 l/min	no	4.80 (121.9)	1.50 (38.1)	1.57 (39.9)
MML-2Q	1/4" NPT	28 scfm	800 l/min	no	4.80 (121.9)	1.50 (38.1)	1.57 (39.9)
MML-3Q	1/4" NPT	60 scfm	1,700 l/min	yes	5.59 (142.0)	1.50 (38.1)	2.09 (53.1)
MML-3W	3/8" NPT	60 scfm	1,700 l/min	yes	5.59 (142.0)	1.50 (38.1)	2.09 (53.1)
MML-4W	3/8" NPT	180 scfm	5,000 l/min	yes	6.97 (177.0)	1.61 (40.9)	2.76 (70.1)
MML-4Z	1/2" NPT	180 scfm	5,000 l/min	yes	6.97 (177.0)	1.61 (40.9)	2.76 (70.1)
MML-4A	3/4" NPT	220 scfm	6,300 l/min	yes	6.97 (177.0)	1.54 (39.1)	2.76 (70.1)
MML-5B	1" NPT	245 scfm	7,000 l/min	yes	10.00 (254.0)	1.77 (45.0)	3.54 (89.9)